

# FURUNO®

10-INCH, 1/2/3 kW output power, choice of single or dual-frequency models

## COLOR VIDEO SOUNDER

MODELS **FCV-291/292**

- Single or Dual frequency: 28, 50, 88 or 200 kHz
- Choice of 1, 2 or 3 kW output power
- 16-color presentation on 10" screen
- Marker Zoom, Bottom Zoom, Bottom Discrimination, Bottom lock
- A-SCOPE
- Automatic control of range and sensitivity
- NAV data display
- NMEA 0183 data interface
- Optional speed and temperature sensors



Photo: FCV-291



The future today with FURUNO's electronics technology  
**FURUNO ELECTRIC CO., LTD.**

9-52 Ashihara-cho, Nishinomiya City, Japan Telephone: +81 (0)798 65-2111  
Telex: 5644-325, Telefax: +81 (0)798 65-4200, 66-4622, 66-4623

Catalogue No. E-366d

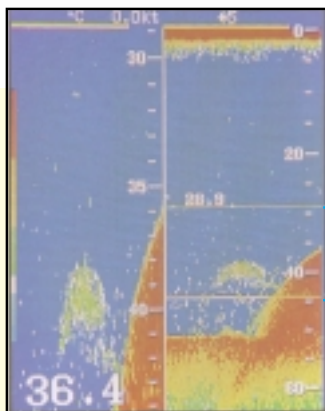
TRADE MARK REGISTERED  
MARCA REGISTRADA

# Offering a broad variety of presentation modes with fast and simple operation



Photo: FCV-292

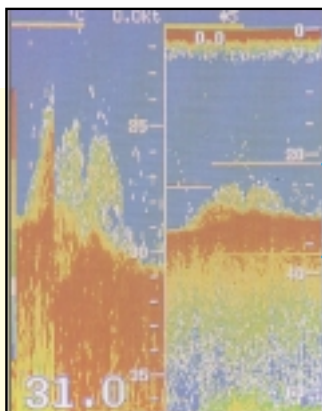
## MARKER ZOOM



Zoom  
Markers

The portion of water column to be enlarged can be freely set by the zoom markers. The zoomed picture appears on the left half of the screen.

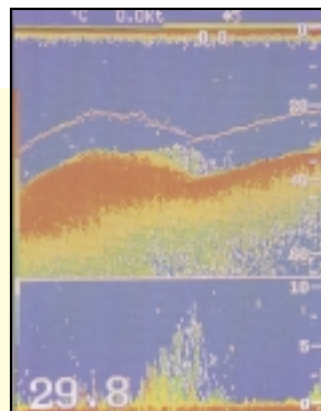
## BOTTOM ZOOM



Zoom  
Markers

The zoom markers follow the bottom contour automatically giving us an expanded view of the area near the bottom. This is done even under conditions of changing depth.

## BOTTOM-LOCK



The bottom is displayed as a straight line on the lower part of the screen, regardless of bottom contour. This mode is useful for detection of fish close to or on the bottom.

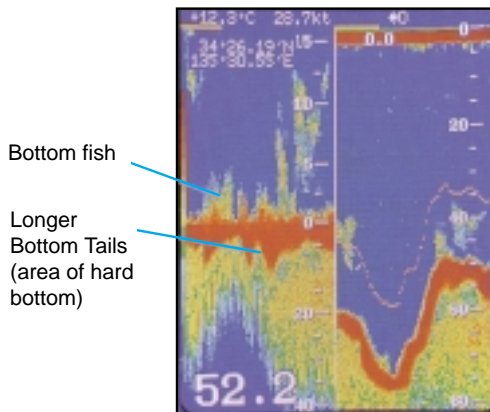
The FURUNO FCV-291 (single frequency) and FCV-292 (dual frequency) are compact, cost-effective color video sounders (1, 2 or 3 kW model selectable) for professional fishermen. The operating frequency can be selected from 28, 38\*, 50, 88 or 200 kHz (two frequencies selectable for FCV-292).

They feature a variety of display modes, user-friendly operation and easy evaluation of seabed conditions. The echoes are presented on the 10-inch screen in up to 16 colors. One of the 16 colors can be displayed in white to emphasize the specific echo level.

Display modes include: Single (Low-frequency/Hi-frequency selectable for FCV-291), Dual (FCV-292), Marker Zoom, Bottom-Lock, Bottom Discrimination, Bottom Zoom, NAV data and A-scope. The Bottom Discrimination mode enhances the bottom echo tails to easily discriminate between soft, rocky or sandy bottom. This is done by noting the different colors and lengths of bottom tails. In the Nav data display, own ship navigation data can be displayed using appropriate sensors.

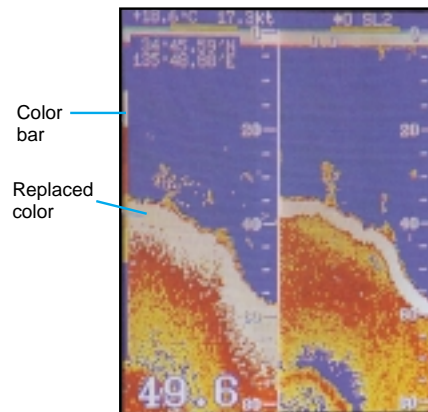
\*A 38 kHz model is available for the FCV-291 only. (The transducer should be supplied locally)

## BOTTOM DISCRIMINATION



The bottom is displayed as a straight line. Echoes immediately below this line will have enhanced bottom tails. Harder bottom creates darker and longer tails. The nature and any changes in bottom density can be easily determined by any changes in color or tail lengths.

## ECHO COLOR CHANGE



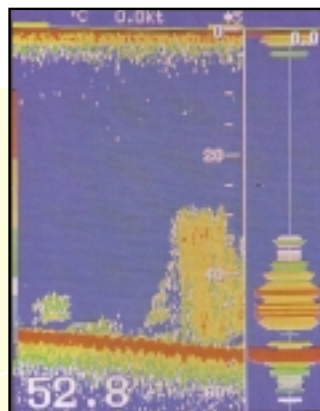
One of any colors among the color bar can be replaced with white color to emphasize the specific echo level.

## NAV DATA



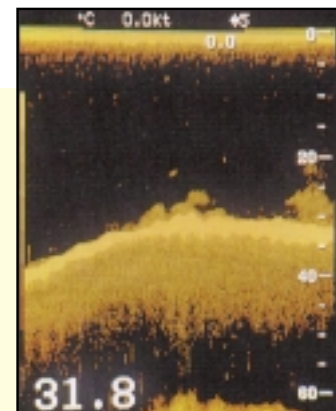
The NAV data screen shows own ship's position, speed, distance run, waypoint data with wpt number, range/bearing to wpt and XTE, water depth and temperature.

## A-SCOPE



The A-Scope picture on the right 1/3 of the screen shows an instantaneous echo envelope at each ping, clearly showing echo differentials and positional relationship. This is useful for closer observation of target depth.

## CHANGE OF DISPLAY COLOR



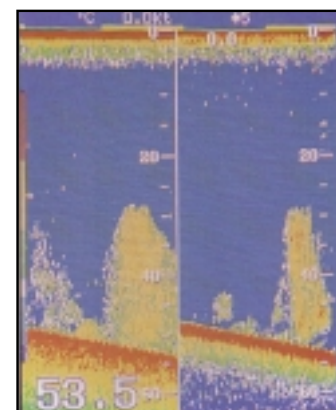
Background color can be changed in the Menu for optimum viewing even at night time. A monochrome amber presentation is also available.

The FCV-291 and FCV-292 have an AUTO mode for hands-off operation. It automatically acquires and tracks the seabed, while adjusting receiver sensitivity for optimum echo presentation.

The stylish display unit allows flexible installation, fitting nicely on a table top or overhead location.

## DUAL FREQUENCY (FCV-292 only)

Dual-frequency operation assures better resolution using a high frequency and deeper range and penetration using a low frequency.



# SPECIFICATIONS OF FCV-291/FCV-292

## 1. Display

10" color CRT, 232 x 240 pixels, 16-colors

## 2. Display Modes

Single for FCV-291

Single LF or HF or Dual for FCV-292

Common features to FCV-291/292: Marker Zoom, Bottom-Lock, Bottom Discrimination, Bottom Zoom, A-scope (HF in dual mode for FCV-292) and NAV data

## 3. Frequency

FCV-291: Single frequency to choose from 28, 38\*, 50, 88 or 200 kHz

FCV-292: Dual frequencies to choose from 28, 50, 88 or 200 kHz

\* 38 kHz transducer must be arranged locally.

## 4. Range Settings

### Basic Range (Factory setting)

m	5,	10,	20,	40,	80,	150,	300,	500
ft	15,	30,	60,	120,	200,	400,	1000,	1500
fa	3,	5,	10,	20,	40,	80,	150,	250
p/b	3,	5,	10,	20,	40,	80,	150,	250

(Range scales can be selected from 5 to 4,000 m in Menu)

### Zoom Range

x2, x3, x4 or x5

### Phased Range

Up to 4,000 m (9,000 ft, 2,000 fa, 2,000 p/b) in 1 to 100 m (ft, fa, p/b) steps depending on selected range

## 5. Pulselength and Pulse Repetition Rates

Range (m)	5,	10,	20,	40,	80,	150,	300,	500
P/L (ms)	0.1	0.1	0.1	0.2	0.4	0.7	1.5	2.0
PRR	600	600	600	375	187	110	50	38

## 6. Picture Advance

Freeze, 1/16, 1/8, 1/4, 1/2, 1/1, 2/1 scan lines/tx

## 7. Data Interface (NMEA0183) \*Optional sensor required

Input:

\$-RMA, \$-RMB, \$-RMC, \$-GLL, \$-VTG, \$-VHW, \$-MTW, \$-XTE, \$-BWC - -: Any talker

Output: Water depth	\$SDBT, \$SDDPT
Water temperature*	\$YCMTW
Speed*	\$VWWHW

## 8. Output Power (Specify when ordering)

1, 2 or 3 kW rms

## POWER SUPPLY (Specify when ordering)

10.5 - 20.0 VDC or 18 - 40.0 VDC, less than 45 W  
115/230 VAC with optional rectifier PR-62

## POWER CONSUMPTION

45 W (1 kW), 48 W (2 kW), 50 W (3 kW)

## ENVIRONMENT (IEC test method)

Temperature:	-15° C to +55° C (IEC 945)
Water resistance:	IPX2 (IEC 529) (protected against dripping water)

## EQUIPMENT LIST

### Standard

- Display Unit CV-291/CV-292 1 unit  
(Specify output power and power supply when ordering)
- Installation materials and standard spare parts 1 set

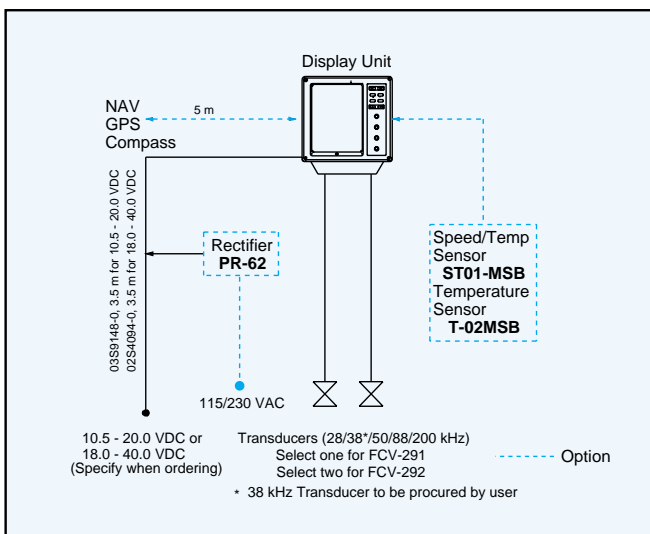
### Optional

- Speed & temperature sensor ST-01MSB (Thru-hull, bronze)
- Temperature sensor T-02MSB (Thru-hull, bronze)
- EMI filter FP02-03900
- NMEA cable MJ-A6SPF0012-050 (5 m)
- Rectifier PR-62 for 115/230 VAC mains

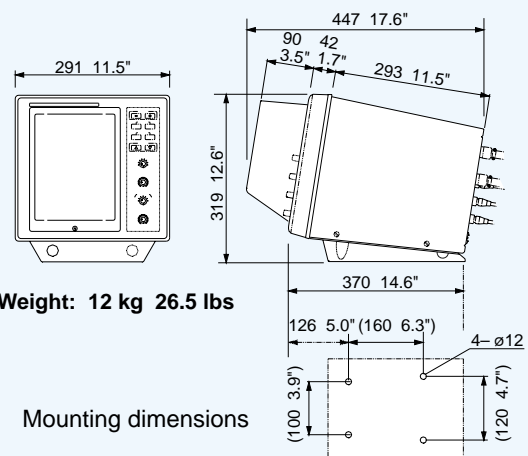
## TRANSDUCERS

Specify operating frequencies when ordering. Select one for FCV-291, two for FCV-292.

	1 kW	2 kW	3 kW
<b>28 kHz:</b>	28F-8	28F-18	28F-24H
<b>50 kHz:</b>	50B-9B	50B-12	50F-24H
<b>88 kHz:</b>	88B-8	88B-10	88B-126H
<b>200 kHz:</b>	200B-8B	200B-8B	200B-12H



## Display Unit CV-291/CV-292



SPECIFICATIONS SUBJECT TO CHANGE WITHOUT NOTICE

### FURUNO U.S.A., INC.

Camas, Washington, U.S.A.  
Phone: +1 360-834-9300 Telefax: +1 360-834-9400

### FURUNO (UK) LIMITED

Denmead, Hampshire, U.K.  
Phone: +44 2392-230303 Telefax: +44 2392-230101

### FURUNO FRANCE S.A.

Bordeaux-Mérignac, France  
Phone: +33 5 56 13 48 00 Telefax: +33 5 56 13 48 01

### FURUNO ESPANA S.A.

Madrid, Spain  
Phone: +34 91-725-90-88 Telefax: +34 91-725-98-97

### FURUNO DANMARK AS

Hvidovre, Denmark  
Phone: +45 36 77 45 00 Telefax: +45 36 77 45 01

### FURUNO NORGE A/S

Alesund, Norway  
Phone: +47 70 102950 Telefax: +47 70 127021

### FURUNO SVERIGE AB

Västra Frölunda, Sweden  
Phone: +46 31-709 89 40 Telefax: +46 31-49 70 93

### FURUNO SUOMI OY

Helsinki, Finland  
Phone: +358 9 341 7570 Telefax: +358 9 3417 5716

0009XN Printed in Japan